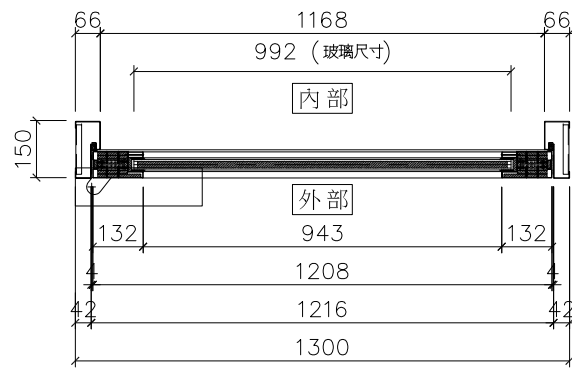


① 立面圖 S=1/20

② 立面圖 S=1/20

③ 立斷面圖 S=1/20

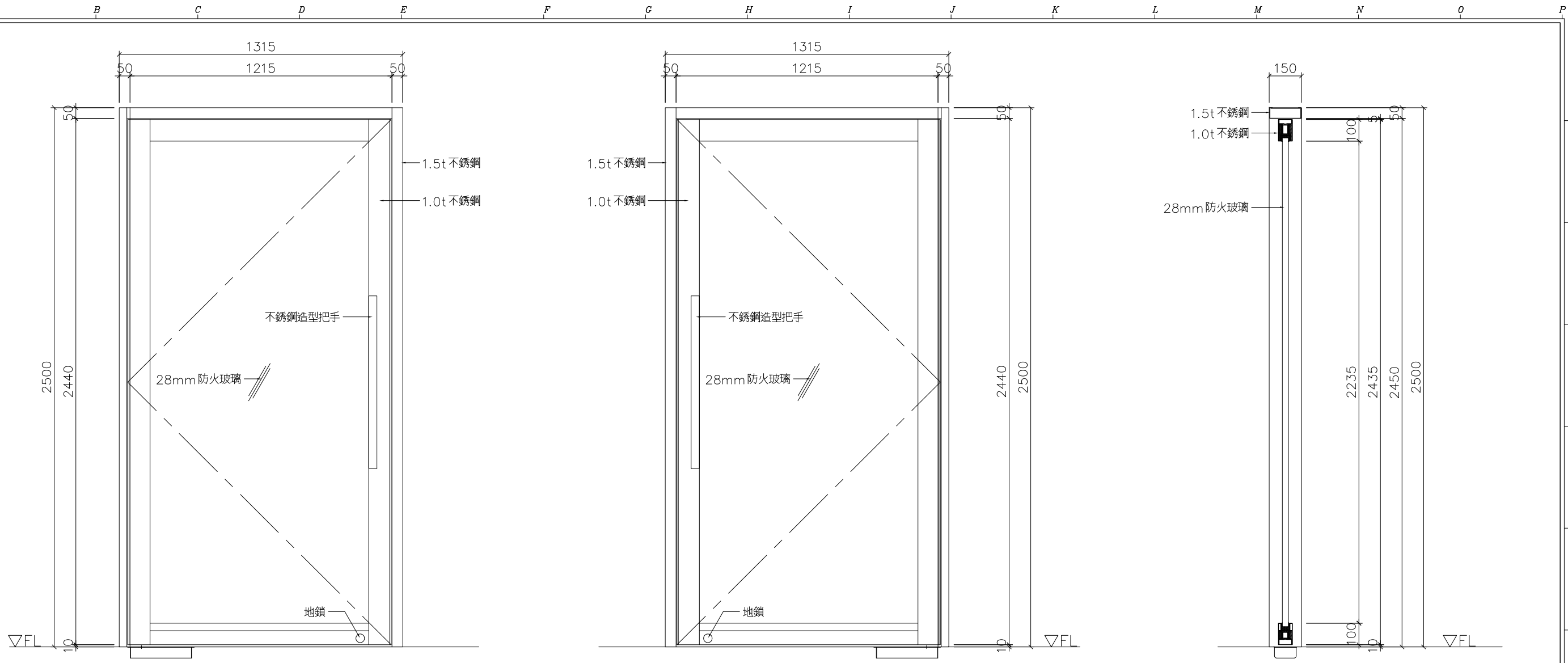


④ 平斷面圖 S=1/20

| 尺寸 | 部位 | W (DW) | H (DH) |
|----|----|-------------|-------------|
| 範圍 | | | |
| 最小 | | 605 (695) | 1759 (1814) |
| 最大 | | 1210 (1300) | 2345 (2400) |

註：W：門扇總寬，H：門扇高度，(DW)：門框寬度，(DH)：門框高度

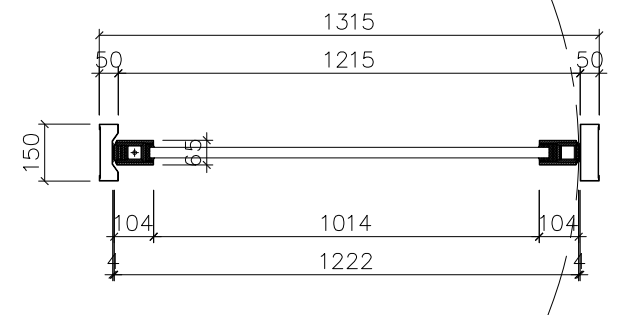
| | | | | | | | | |
|------|---------------|--|--|-----------------|------------------|------------|-------------|------------|
| 工程編號 | 校正記錄 REVISION | | OWNER | PROJECT TITLE | DRAWING DATE | CHECKED BY | APPROVED BY | |
| | 1 | | ARCHITECT | NAME OF PRODUCT | 2013.03.29 | | | |
| | 2 | | GENERAL CONTRACTOR | NAME OF DRAWING | DRAWN BY | | DATE | |
| | 3 | | | | Edward | | | |
| | | | | 立立面圖、平斷面圖、立斷面圖 | PERSON IN CHARGE | | | |
| | | | 力靈實業有限公司 新北市汐止區大同路一段337巷16弄32號 TEL: 2642-5557. FAX: 2643-0353. | | QUANTITY | UNIT | SCALE | DRAWING NO |
| | | | | | | mm | 1/20 | 1 |



① 立面圖 S=1/20

② 立面圖 S=1/20

③ 立斷面圖 S=1/20



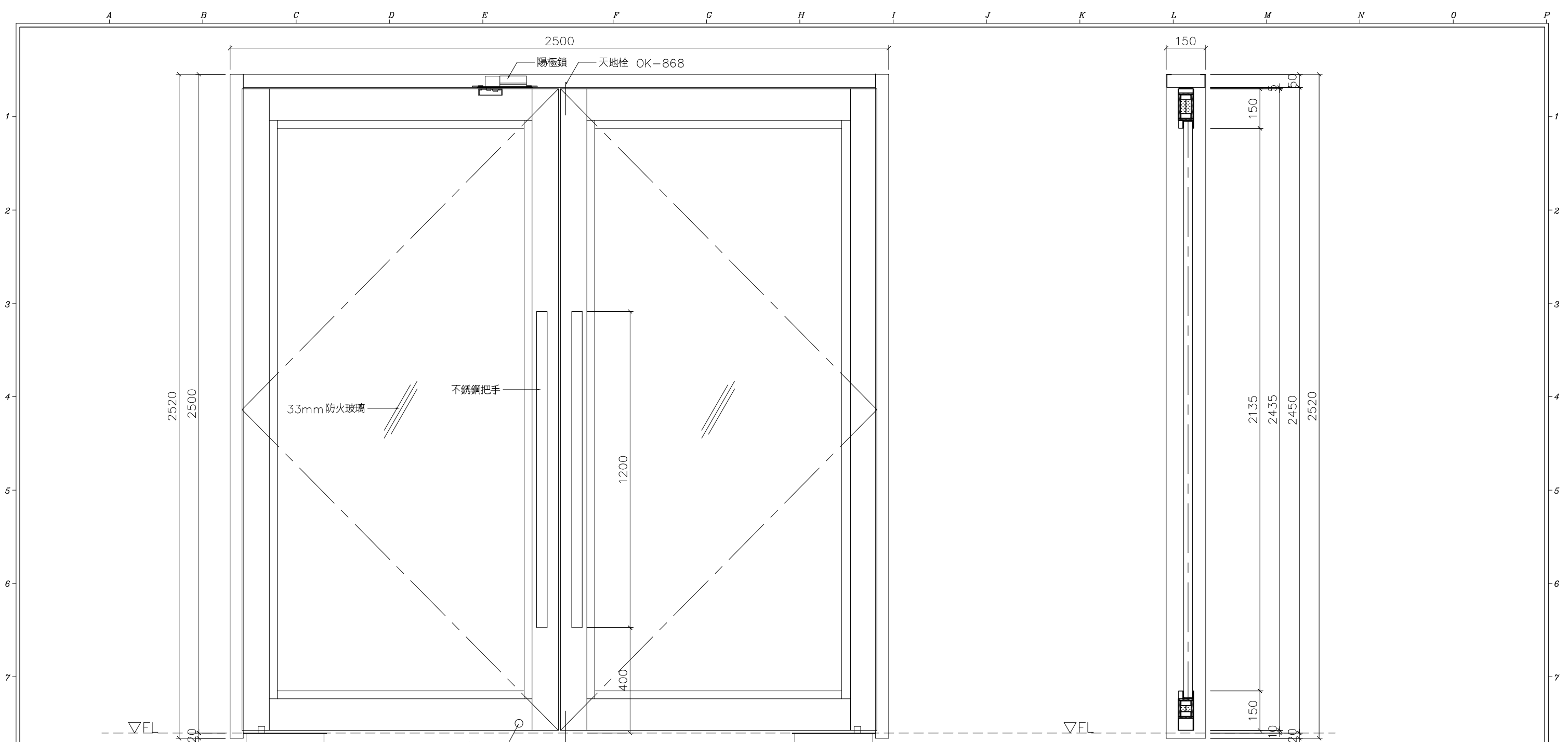
④ 平斷面圖 S=1/20

| 尺寸 | 部位 | W (DW) | H (DH) |
|----|----|-------------|-----------------|
| 範圍 | | | |
| 最小 | | 610 (705) | 1826.5 (1891.5) |
| 最大 | | 1220 (1315) | 2435 (2500) |

註：W：門扇總寬，H：門扇高度，(DW)：門框寬度，(DH)：門框高度

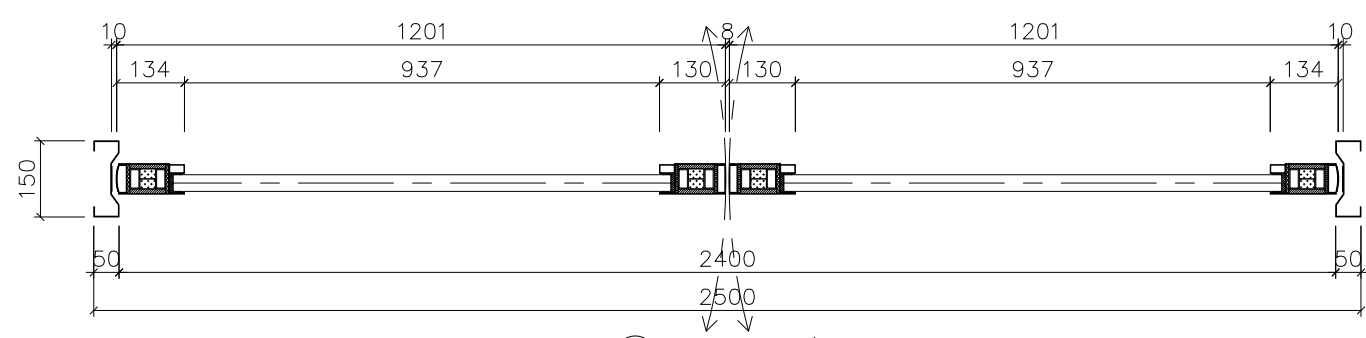
| | | | | | | | |
|------|---------------|--|--------------------|-------------------|------------------|------------|-------------|
| 工程編號 | 校正記錄 REVISION | | OWNER | PROJECT TITLE | DRAWING DATE | CHECKED BY | APPROVED BY |
| | 1 | | ARCHITECT | NAME OF PRODUCT | 2013.05.09 | | |
| | 2 | | GENERAL CONTRACTOR | NAME OF DRAWING | DRAWN BY | | DATE |
| | | | | 不銹鋼防火玻璃門(單扇180°開) | Edward | | |
| | | | | 立面圖、平斷面圖、立斷面圖 | PERSON IN CHARGE | | |
| | | | | | | SCALE | DRAWING NO |
| | | | | | | 1/20 | 1 |

力霆實業有限公司 新北市汐止區大同路一段337巷16弄32號
 TEL: 2642-5557. FAX: 2643-0353.



① 立面圖 S=1/15

③ 立斷面圖 S=1/15



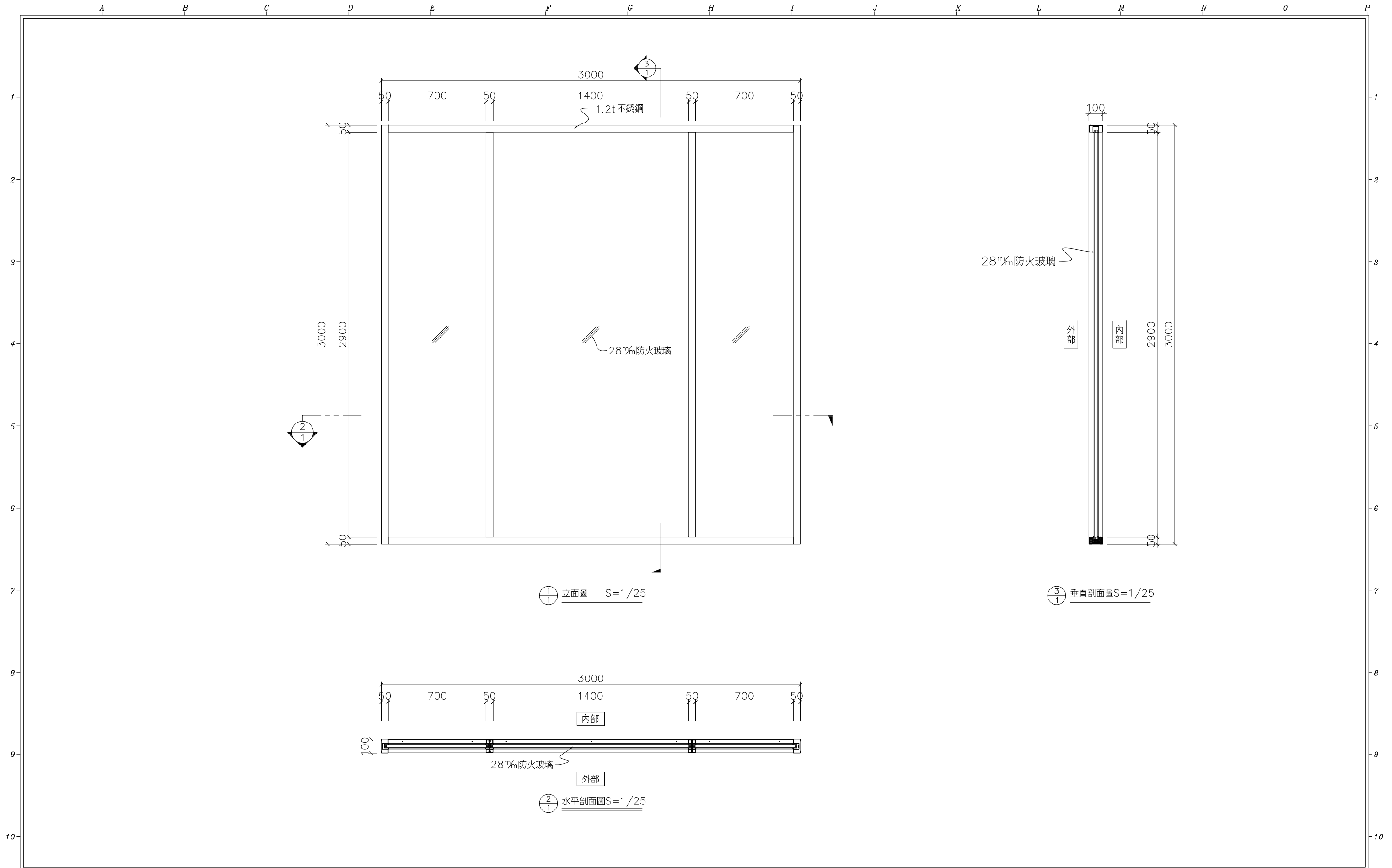
② 平斷面圖 S=1/15


| 尺寸 | 部位 | W/W1 (DW) | H (DH) |
|----|----|-----------------------|-------------|
| 範圍 | | | |
| 最小 | | 1214.5/606.5 (1293.5) | 1833 (1889) |
| 最大 | | 2429/1213 (2508) | 2444 (2500) |

註：W：門扇總寬，W1：單一門扇寬度，H：門扇高度，(DW)：門框寬度，(DH)：門框高度

| | | | | | | |
|------|---------------|--------------------|-----------------|------------------|------------|-------------|
| 工程編號 | 校正記錄 REVISION | OWNER | PROJECT TITLE | DRAWING DATE | CHECKED BY | APPROVED BY |
| — | ① | ARCHITECT | NAME OF PRODUCT | 2013.04.01 | | |
| — | ② | GENERAL CONTRACTOR | NAME OF DRAWING | DRAWN BY | | DATE |
| — | ③ | | 立立面圖、平斷面圖、立斷面圖 | Edward | | |
| — | | | | PERSON IN CHARGE | | |
| — | | | | | SCALE | DRAWING NO |
| — | | | | | 1/15 | 1 |

力靈實業有限公司 新北市汐止區大同路一段337巷16弄32號
 TEL: 2642-5557. FAX: 2643-0353.



| | | | | | | | |
|------|------|----------|--|---------------------------------|------------------|------------|-------------|
| 工程編號 | 校正記錄 | REVISION | OWNER | PROJECT TITLE | DRAWING DATE | CHECKED BY | APPROVED BY |
| — | ① | | ARCHITECT | NAME OF PRODUCT 300x300不銹鋼防火固定窗 | 2016.03.17 | | |
| — | ② | | GENERAL CONTRACTOR | NAME OF DRAWING 立面圖、平斷面圖、立斷面圖 | DRAWN BY Edward | | DATE |
| — | ③ | | | | PERSON IN CHARGE | | |
| — | | |  力靈實業有限公司 新北市汐止區大同路一段337巷16弄32號 TEL:02-2642-5557. FAX:02-2643-0353. | | | QUANTITY | UNIT |
| — | | | | | mm | SCALE | DRAWING NO |
| | | | | | 1/25 | 1 | |